



KYORITSU ELECTRICAL INSTRUMENTS WORKS, LTD.

No. 5-20, Nakane 2-Chome, Meguro-Ku, Tokyo 152-0031, JAPAN

Phone: 81-3-3723-0131 FAX: 81-3-3723-0152

URL: <http://www.kew-ltd.co.jp>

April 4th, 2018

New Product Release
KEW 5050
New High-Speed Leakage Current Logger

CONFIDENTIAL

Dear Kyoritsu partners,

We appreciate your sales promotions for Kyoritsu products.
We are pleased to inform that we will soon launch a new logger.
More detailed specifications will be informed soon.

KEW 5050: Innovative Leakage Current Logger

Descriptions: High-Speed Leakage Current Logger

Key features:

- High-Speed sampling rate: 40.96 ksps (every 24.4 μ s)
- Can identify the resistive component of leakage current in an electrical installation
- Can catch all the Intermittent leakage by the continuous measurement without any gap
- Patented in Japan and Awarded the prize of the Ministry of Economy, Trade and Industry

Country of Origin: Japan

Price: Our account manager will offer the price to you separately.

Scheduled volume shipment: For the first production, 4 months after receiving your order

Suitable customers: Insurance company (to check the cause of fire from a short circuit),
RCD manufacturer, Maintenance of a big factory,
Railways Industry, Power Company (maintenance), and
All people who cannot find the cause of the unintended RCD trip.

Other: New leakage clamp sensors, KEW8177 and KEW8178 are launched together.

We look forward to receiving your enquiry for this new product.

Kyoritsu Electrical Instruments Works, Ltd.

Tatsuya Yamaguchi
General Manager
Overseas Sales Department

Appearance of KEW5050

User friendly operation buttons

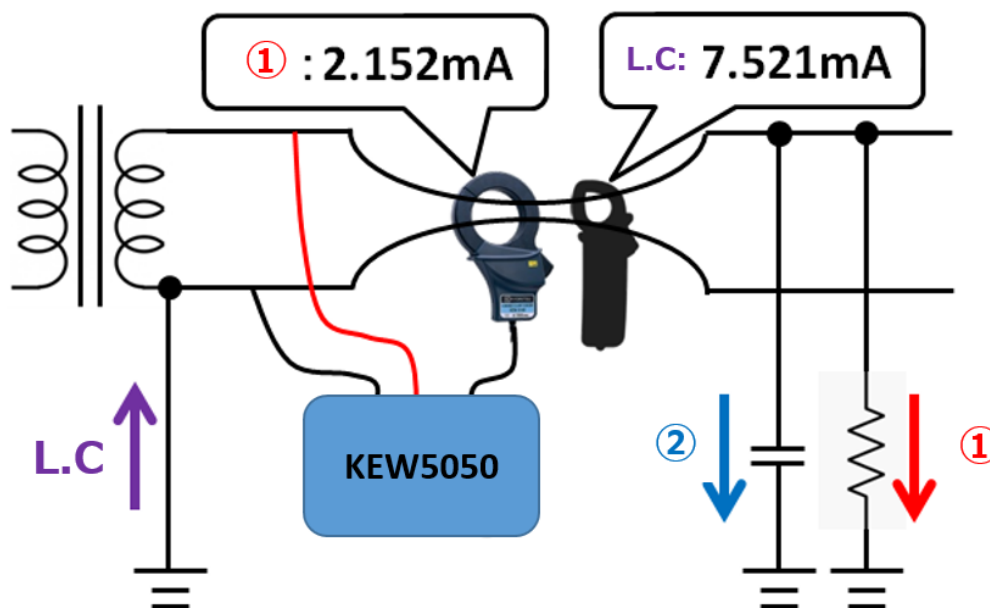


“Can identify the resistive component of leakage current in an electrical installation.”

Danger① : Leakage current that causes an electrical shock and fire (Resistance component)

Not Danger② : Current without danger (Capacitance component)

Leakage Current = ① + ②



KEW5050 can extract and measure only ①

Various user friendly functions



Automatic identification of the current sensors

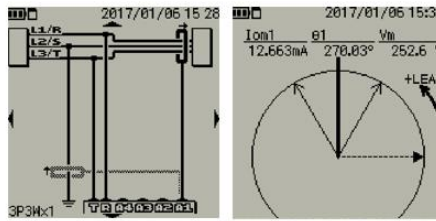


Diagram indication of wiring connection / Vector



Magnet on the rear



Display storage



2 way power supply



External signal output

Standard Accessories and options

Standard Accessories
Voltage test lead [7273]
SD card 2GB [8326-02]
PC software
USB cable [7219]
AC adaptor [8262]
Earth cable [7278]
Carry bag [9125]
Battery, Manual, Installation manual



Test leads



SD card



PC software



USB cable



AC adaptor



Earth cable



Carry bag

Options
Special clamp sensor $\phi 40$ [8177]
Special clamp sensor $\phi 68$ [8178]
Power supply adaptor [8329]



Clamp sensor $\phi 68$



Clamp Sensor $\phi 40$



Power supply adaptor